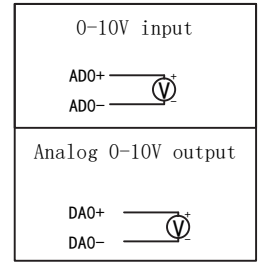
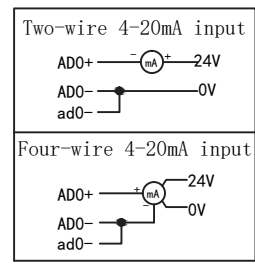
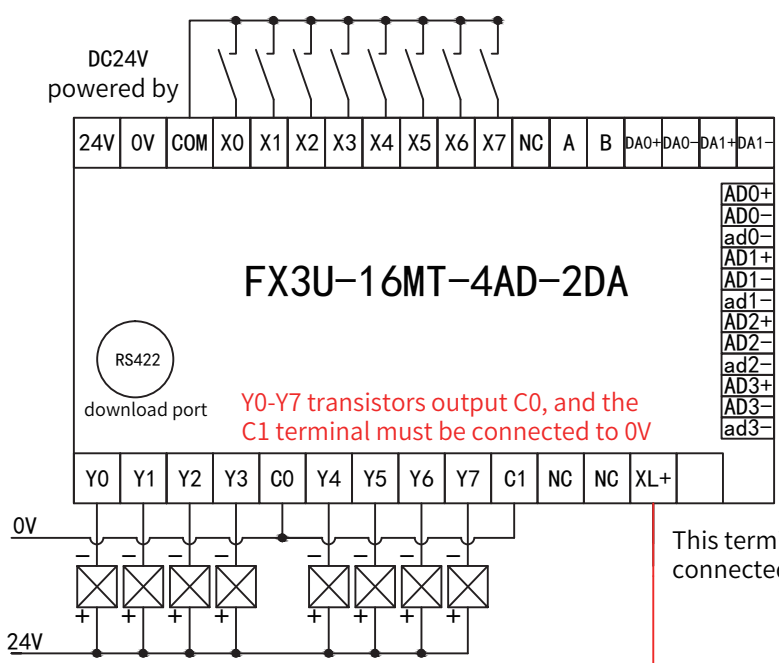


DC24V
Switching
power supply
24V 0V



This terminal must be individually connected directly to the 24V of the switching power supply

The XL+ terminal is designed to protect the internal transistor board, which can greatly improve the reliability and life of the product. It is strongly recommended to connect